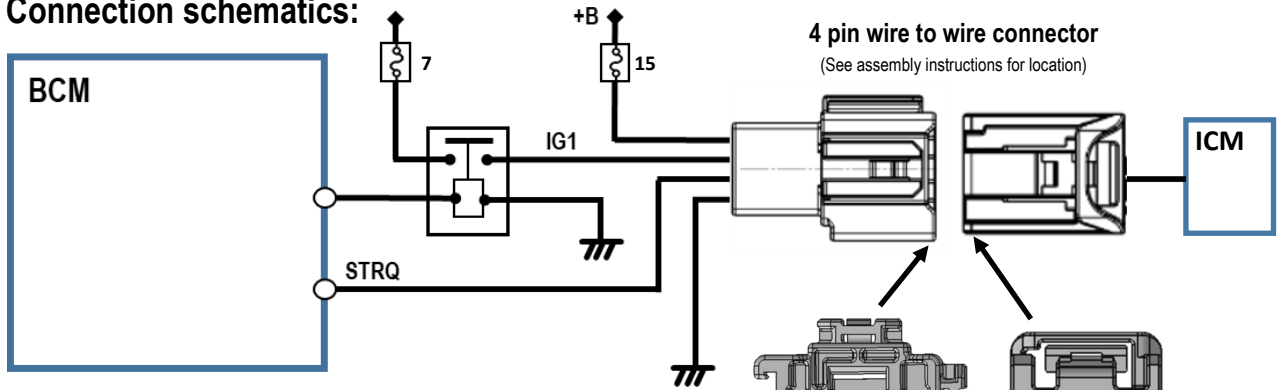


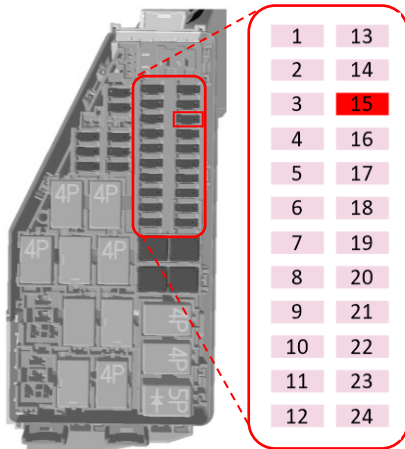


Installation document for alcohol interlocks

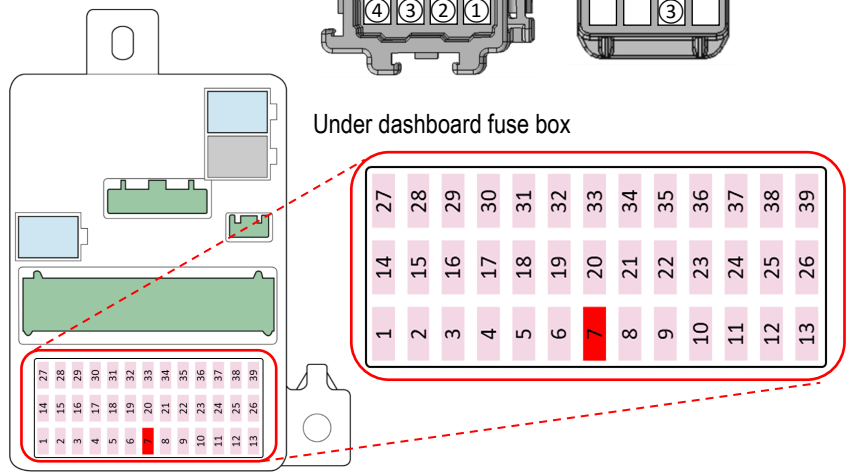
Connection schematics:



Fuse locations: Under hood fuse box



Under dashboard fuse box



	Function	Position of connection
①	Battery supply (+B), non blocking (Fuse 15 under hood fuse box - limit 10A)	Pin 1 of 4 pin connector (Male)
②	Ignition power (IG1) (Vehicle ready) (Fuse 7 under dashboard fuse box - limit 10A)	Pin 2 of 4 pin connector (Male)
③	Engine operation (Start signal) (STRQ) Prohibits the vehicle from starting if circuit is open.	Pin 3 of 4 pin connector (Male) Pin 3 of 4 pin connector (Female)
④	Ground	Pin 4 of 4 pin connector (Male)

Safety risks at installation and items to be considered

When installing on vehicles equipped with airbags, please make sure to never install any devices or wiring in a place that could interfere with the airbag cover parts or airbag operation. In the event of an emergency, it may have a serious impact on passengers.

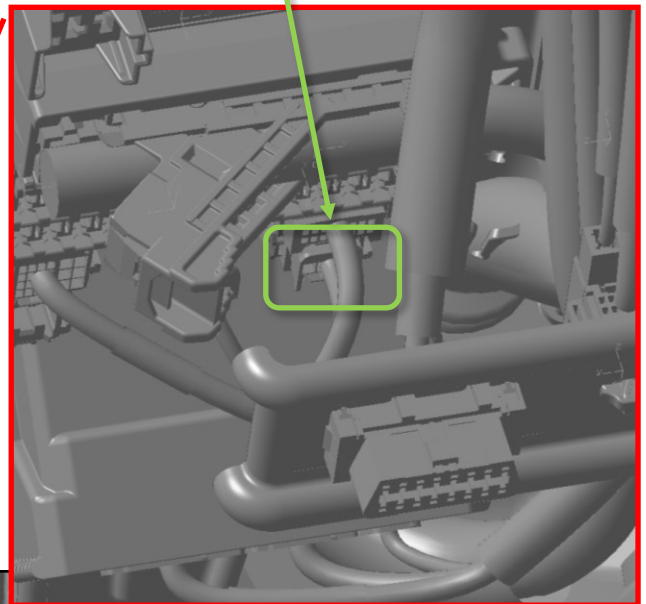
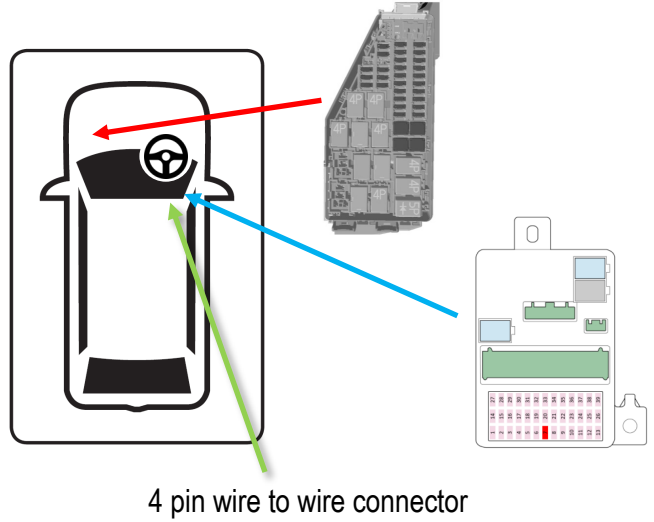
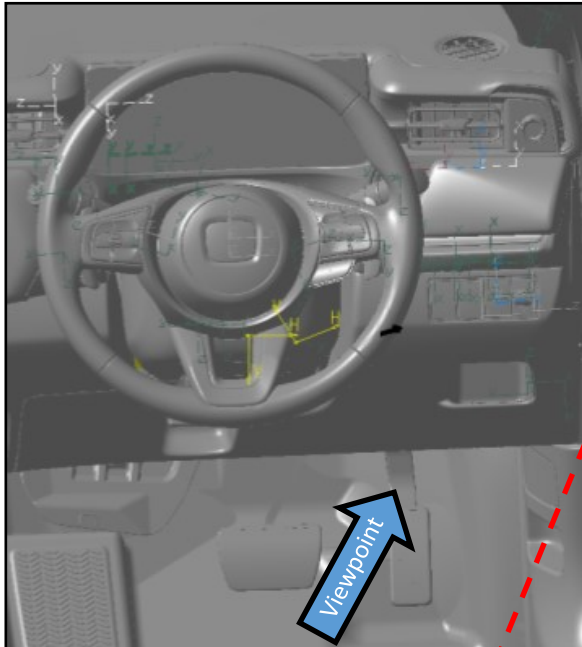
When installing the alcohol interlock device on the dashboard, install it so that it does not interfere with the drivers view or controls of the vehicle.



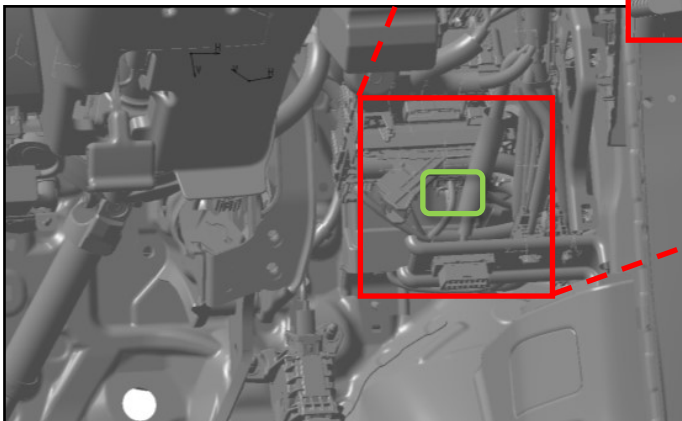
Assembly instructions:

(RHD)

Connection point location:



Viewpoint

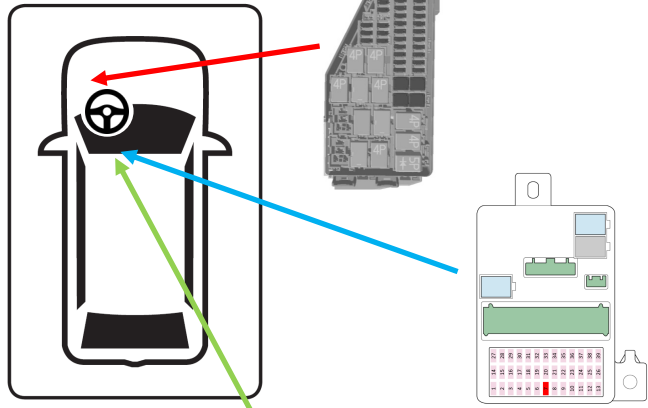
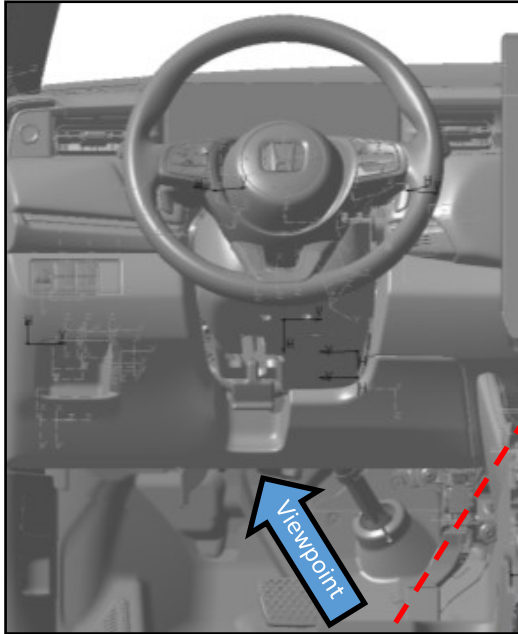




Assembly instructions:

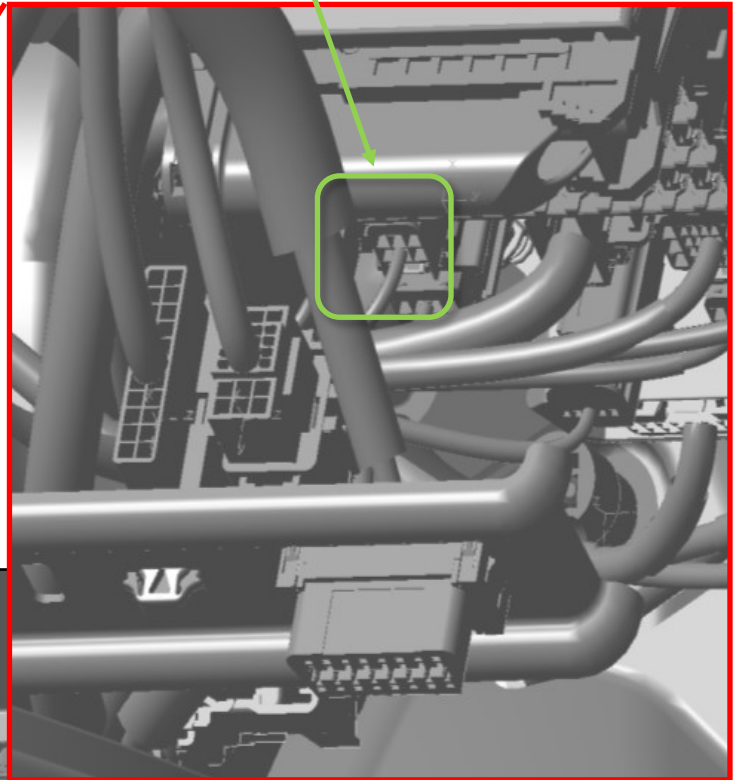
(LHD)

Connection point location:



4 pin wire to wire connector

Viewpoint





Connection point:

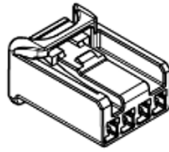
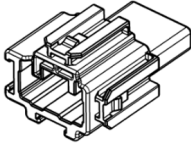
4 pin wire to wire connector.

Disconnect the connector and make the connections between the male and female connectors with compatible connectors and terminals made by YAZAKI.

Connector type: YAZAKI

7186-8849 (male)

7187-8854 (female)



Male Terminals*

Female Terminals*

7114-7386-02 (S)

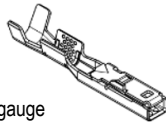
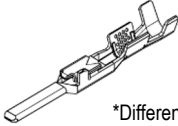
7116-7389-02 (S)

7114-7387-02 (M)

7116-7390-02 (M)

7114-7388-02 (L)

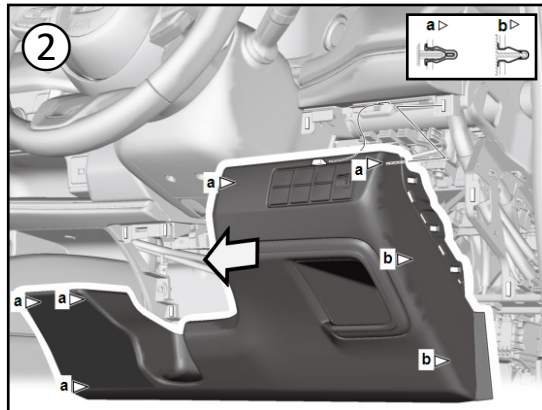
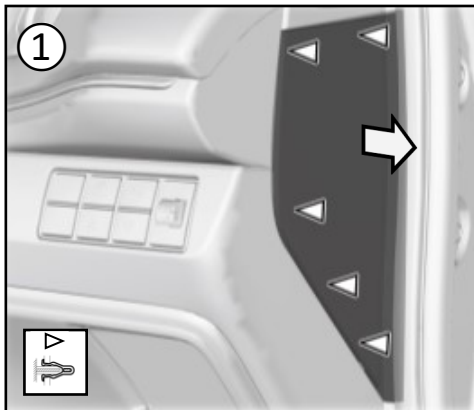
7116-7391-02 (L)



*Different sizes by wire gauge

Panel removal:

RHD shown, LHD is a mirror image.



Modification of vehicle operation:

None applicable.

Mounting position of alcohol interlock handset and alcohol interlock control unit:

Recommended installation position:

Install in a position that does not interfere with driving operations or visibility.

Positions where it should not be installed:

Do not install in the airbag deployment area.