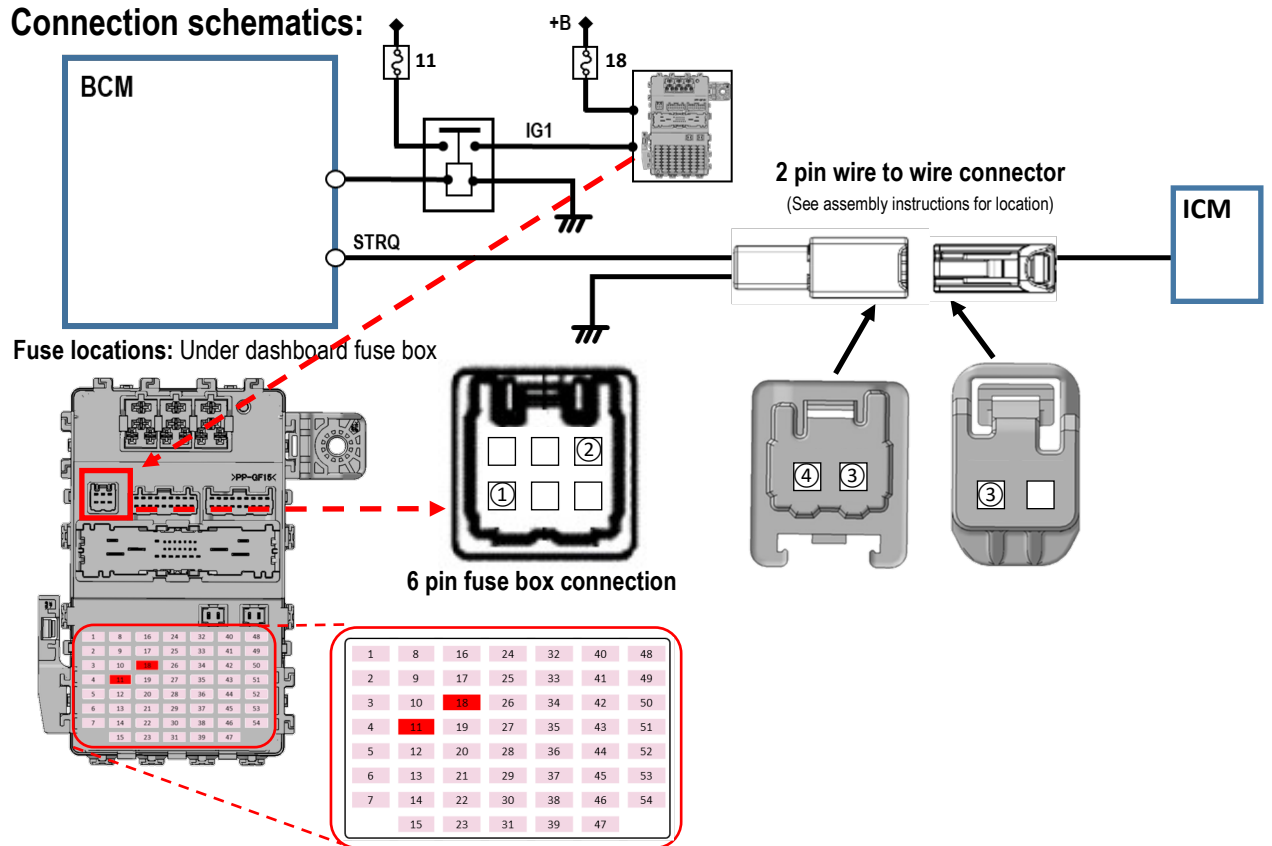




### Installation document for alcohol interlocks

#### Connection schematics:



	Function	Position of connection
①	Battery supply (+B), non blocking (Fuse 18 - limit 20A)	Pin 6 of 6 pin fuse box connection (Male)
②	Ignition power (IG1) (Vehicle ready) (Fuse 11 - limit 10A)	Pin 1 of 6 pin fuse box connection (Male)
③	Engine operation (Start signal) (STRQ) Prohibits the vehicle from starting if circuit is open.	Pin 1 of 2 pin connector (Male) Pin 1 of 2 pin connector (Female)
④	Ground	Pin 2 of 2 pin connector (Male)

#### Safety risks at installation and items to be considered

When installing on vehicles equipped with airbags, please make sure to never install any devices or wiring in a place that could interfere with the airbag cover parts or airbag operation. In the event of an emergency, it may have a serious impact on passengers.

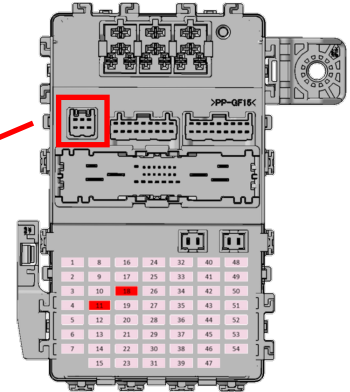
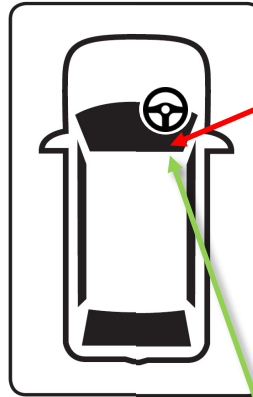
When installing the alcohol interlock device on the dashboard, install it so that it does not interfere with the drivers view or controls of the vehicle.



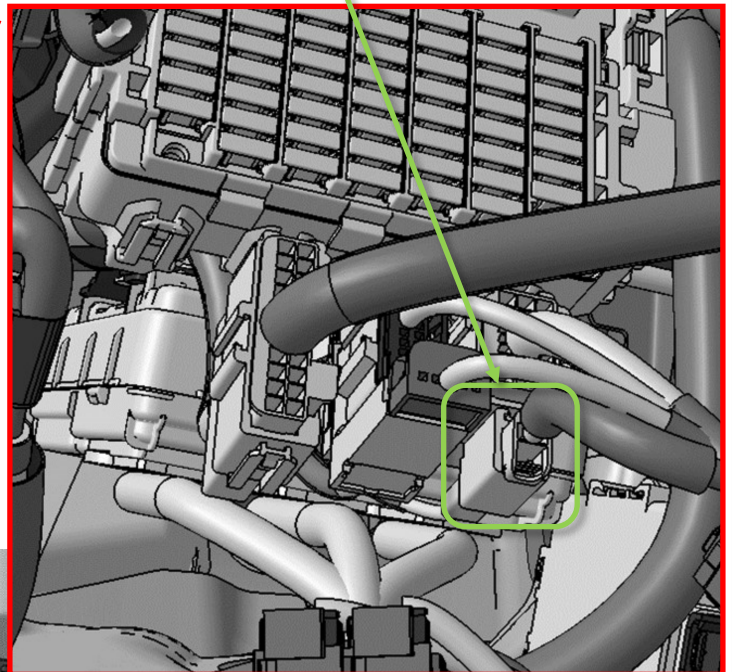
**Assembly instructions:**

**(RHD)**

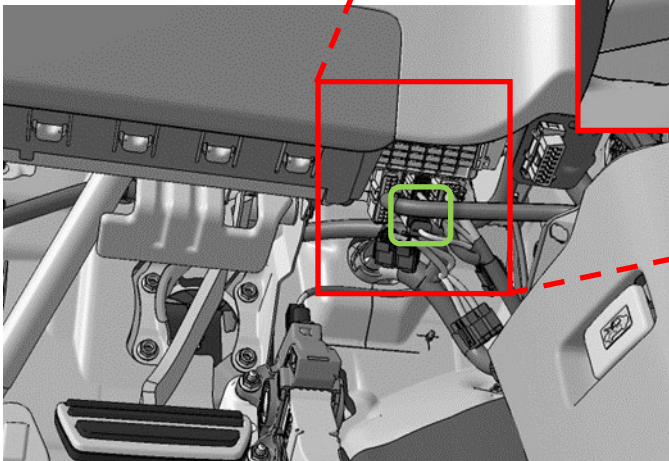
**Connection point location:**



2 pin wire to wire connector



Viewpoint

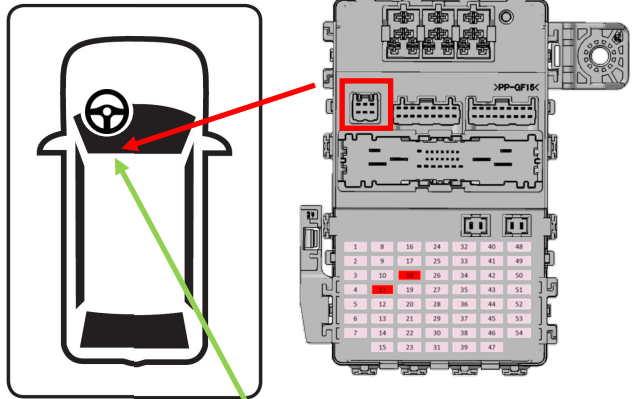




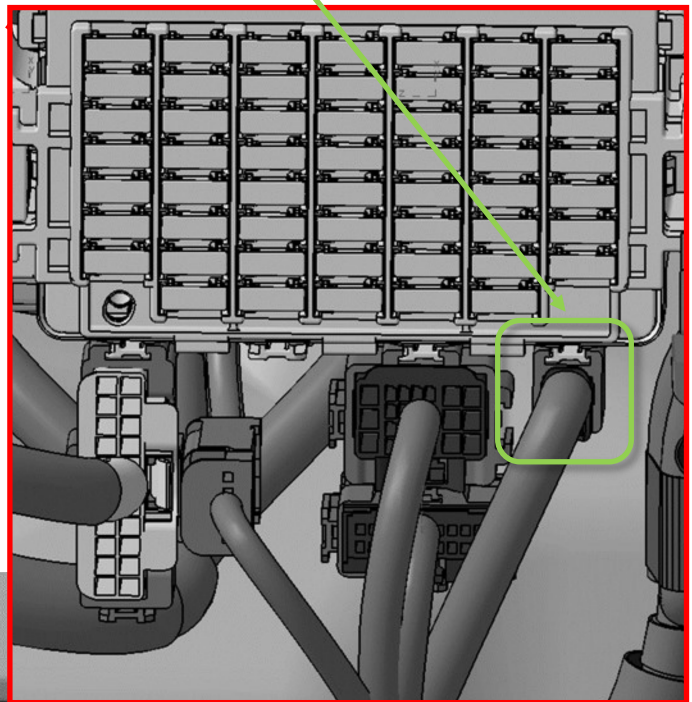
**Assembly instructions:**

(LHD)

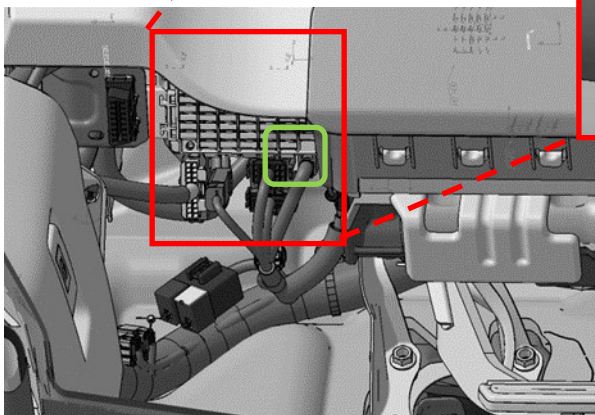
Connection point location:



2 pin wire to wire connector



Viewpoint





**Connection point:**

2 pin wire to wire connector.

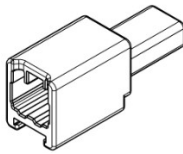
Disconnect the connector and make the connections between the male and female connectors with compatible connectors and terminals made by YAZAKI.

6 pin fuse box connection

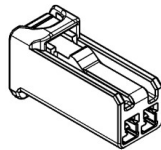
Connect using a female 6 pin connector and terminals made by YAZAKI

**Connector type: YAZAKI**

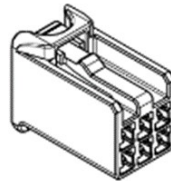
7186-8845 (2 pin male)



7187-8845 (2 pin female)



7187-8846 (6 pin female)

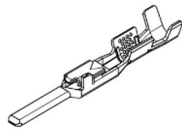


**Male Terminals\***

7114-7386-02 (S)

7114-7387-02 (M)

7114-7388-02 (L)

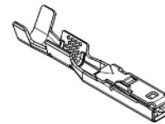


**Female Terminals\***

7116-7389-02 (S)

7116-7390-02 (M)

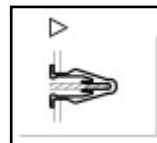
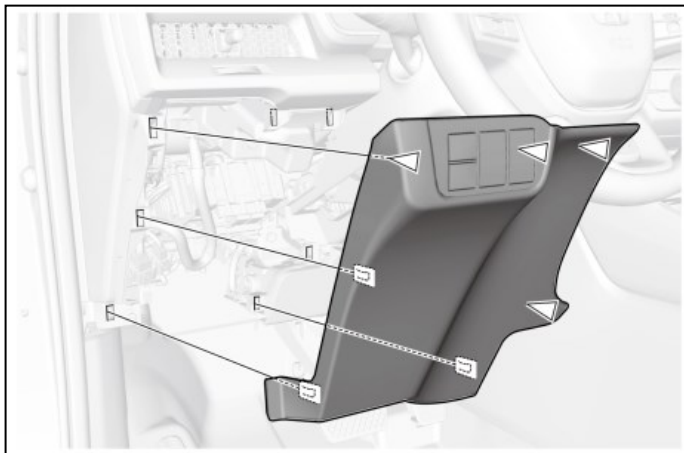
7116-7391-02 (L)



\*Different sizes by wire gauge

**Panel removal:**

LHD shown, RHD is a mirror image.



**Modification of vehicle operation:**

None applicable.

**Mounting position of alcohol interlock handset and alcohol interlock control unit:**

**Recommended installation position:**

Install in a position that does not interfere with driving operations or visibility.

**Positions where it should not be installed:**

Do not install in the airbag deployment area.